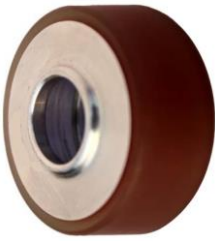
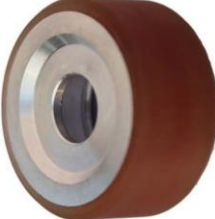











**CATALOG OF LOHIA CORP LTD. MODEL : NOVA6 CIRCULAR
LOOMS SPARES**

1.		UPPER HEDDLE BELT 236 X 98 X 8 240 X 98 X 8 NOVA6 0765 07	2.		LOWER HEDDLE BELT-A (16W)C.R HOLE AT-65MM 480 X 98 X 8 485 X 98 X 8 NOVA6 0765 20
3.		SHUTTLE BODY-WG (P-10) NOVA6 495815	4.		JOCKEY LEVER NOVA6 0635 15
5.		PLASTIC SHUTTLE (ASSEMBLY.)	6.		JOCKEY LEVER (ASSEMBLY)
7.		CAM ROLLER-PFT DIA-52MM (Brg.6001) NOVA6 0635 06	8.		CAM ROLLER (ASSEMBLY) DIA- 52MM
9.		CHONCHOID WHEEL- P (Brg.6000 & 6001) NOVA6 9945 03	10.		CHONCHOID WHEEL - P (ASSLY.)
11.		STOPPER WHEEL - P (Brg.6001) NOVA6 9945 11	12.		STOPPER WHEEL - P (ASSLY.)

-: Registered Office Address :-

7, C. M. Shah Complex, Near Hanumanpura, Opp. Jupiter Textile Mills, Dudheshwar Road,
 AHMEDABAD-380004. Gujarat, INDIA.

13.		SHUTTLE WHEEL-P (Brg.6001) NOVA6 9945 14	14.		SHUTTLE WHEEL (ASSEMBLY)
15.		SHUTTLE ROLLER - FT DIA-52MM (Brg.6001) NOVA6 4959 07	16.		SHUTTLE ROLLER (ASSLY.) DIA-52MM
17.		PUSHER ROLER (Brg.6000) NOVA6 0823 01	18.		PUSHER ROLER (ASSEMBLY)
19.		STOPPER WHEEL (STEEL) NOVA6 0822 08	20.		STOPPER WHEEL (STEEL) ASSEMBLY
21.		DEFLECTING PULLEY (98 MM) STRAIGHT NOVA6 0765 09	22.		DEFLECTING PULLEY (98 MM) STRAIGHT (ASSEMBLY)
23.		DEFLECTING PULLEY (98 MM) STRAIGHT NOVA6 0765 09	24.		DEFLECTING PULLEY (98 MM) CURVED (ASSEMBLY)
25.		WEFT COMPENSATOR LEVER (MAGNET) NOVA6 5997 02 NOVA6 0910 07	26.		LEVER HOLDER NOVA6 5997 12 NOVA6 0910 04

-: Registered Office Address :-

7, C. M. Shah Complex, Near Hanumanpura, Opp. Jupiter Textile Mills, Dudheshwar Road,
 AHMEDABAD-380004. Gujarat, INDIA.

27.		LEVER HOLDER (ASSEMBLY)	28.		SWINGING LEVER ASSEMBLY (NEW) NOVA6 0635 10 NOVA6 0635 10a
29.		BOBBIN FLANGE-P (DIA-113MM) NOVA6 9947 12a	30.		BOBBIN FLANGE ASSY. - 113MM NOVA6 9947 12
31.		BOOM HOLDER (P) NOVA6 4958 08	32.		FLANGE WASHER (S+H) -P DIA-113MM NOVA6 9947 12d,
33.		TENSION PAD-P NOVA6 9946 03	34.		BRAKE BEARING NOVA6 9946 07
35.		CONNECTING PLATE NOVA6 0765 13	36.		CONNECTING STRIP NOVA6 0765 14
37.		CLAMP SHUTTLE GUIDE-P NOVA6 4958 05	38.		CLAMP NOVA6 4958 04
39.		CLAMP (LEFT) NOVA6 4958 13	40.		CLAMP (RIGHT) NOVA6 4958 14
41.		COMPENSATOR SEPERATOR NOVA6 1125 23	42.		INTERMEDIATE SPACER NOVA6 1125 06

-: Registered Office Address :-

7, C. M. Shah Complex, Near Hanumanpura, Opp. Jupiter Textile Mills, Dudheshwar Road,
 AHMEDABAD-380004. Gujarat, INDIA.

- | | | | | | |
|-----|---|---|-----|--|---|
| 43. |  | BEARING BLOCK
REAR
NOVA6 4945 02 | 44. |  | BEARING BLOCK-P
(FRONT)
NOVA6 4945 01 |
| 45. |  | ROLLER CAP
NOVA6 0635 01 | 46. |  | SHUTTLE ROLLER
CAP-P
NOVA6 4959 03 |
| 47. |  | PIVOT CAP - 36
NOVA60635 13 | 48. |  | CHONCHOID CAP-P
NOVA6 9945 01 |
| 49. |  | SPRING HOLDER
NOVA6 0910 12
NOVA6 5997 10 | 50. |  | SPRING HOLDER
NOVA6 0910 06
NOVA6 5997 04 |
| 51. |  | BUSH
NOVA6 2382 01b
NOVA6 2382 02
NOVA6 2382 03b | 52. |  | BUSH FOR SPRING
NOVA6 9946 04
NOVA6 9946 13 |
| 53. |  | HOLDING BRACKET
NOVA6 7388 08 | 54. |  | BEARING
NOVA6 6418 21 |
| 55. |  | PICK UP ASSY. WITH
FOLDING INS. FINGER
BIG - 425 MM | 56. |  | PICK UP ASSY. WITH
FOLDING INS. FINGER
MEDIUM - 366 MM |

-: Registered Office Address :-

7, C. M. Shah Complex, Near Hanumanpura, Opp. Jupiter Textile Mills, Dudheshwar Road,
 AHMEDABAD-380004. Gujarat, INDIA.

- | | | | |
|---|---|--|--|
| 57.  | PICK UP ASSY. WITH
FOLDING INS. FINGER
SMALL - 308 MM | 58.  | PICK UP ASSY. WITH
INS. PIPE (P1-308
MM) & CERAMIC INS.
BOW |
| 59.  | PICK UP ASSY. WITH
INS. PIPE (P2-350
MM) & CERAMIC INS.
BOW | 60.  | PICK UP ASSY. WITH
INS. PIPE (P3-258
MM) & CERAMIC INS.
BOW |
| 61.  | PICK UP ASSY. WITH
INS. PIPE (P4-230
MM) & CERAMIC INS.
BOW | 62.  | INSERTION FINGER - L
(P) 425 MM
NOVA6 0910 01 |
| 63.  | INSERTION FINGER -
M (P) 366 MM
NOVA6 0910 02 | 64.  | INSERTION FINGER - S
(P) 308 MM
NOVA6 0910 03 |
| 65.  | INSERTION FINGER-
P1 (308 MM)
NOVA6 5997 15 | 66.  | INSERTION FINGER-
P2 (350 MM)
NOVA6 5997 16 |
| 67.  | INSERTION FINGER-
P3 (258 MM)
NOVA6 5997 17 | 68.  | INSERTION FINGER-
P4 (230 MM)
NOVA6 5997 18 |
| 69.  | FINGER HOLDER /
WEFT GUIDE
CERAMIC
NOVA6 5997 01
NOVA6 5997 21 | 70.  | PIVOT PIN
NOVA6 091005
NOVA6 5997 14 |

















-: Registered Office Address :-

7, C. M. Shah Complex, Near Hanumanpura, Opp. Jupiter Textile Mills, Dudheshwar Road,
AHMEDABAD-380004. Gujarat, INDIA.

71.		SOLID DOWEL PIN (2 X 8) NOVA6 0910 08 NOVA6 5997 05	72.		SOLID DOWEL PIN (2 X 14) NOVA6 0910 13 NOVA6 5997 11
73.		BOBBIN HOLDER-P (FLOATING END) (Brg. 6000) NOVA6 9947 09	74.		BOBBIN HOLDER-P (FIXED END) (Brg. 6000) NOVA6 9947 02
75.		AXLE - P (FLOATING END) NOVA6 9947 06	76.		COVER FRONT-P NOVA6 9947 01
77.		COVER BACK - P NOVA6 9947 04	78.		SPACER PUSHER ROLLER NOVA6 0823 04
79.		SPACER NOVA6 0822 07	80.		SPECIAL BOLT NOVA6 0822 03
81.		ECCENTRIC ADAPTER (Brg. 6001) NOVA6 9945 15	82.		CHONCHOID ADAPTER-P (Brg. 6001 & 6000)
83.		STOPPER WHEEL ADAPTER-P (Brg. 6001) NOVA6 9945 12	84.		CHONCHOID SPACER-P NOVA6 9945 06





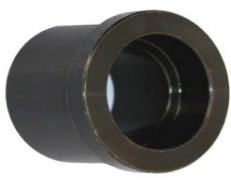







-: Registered Office Address :-

7, C. M. Shah Complex, Near Hanumanpura, Opp. Jupiter Textile Mills, Dudheshwar Road,
AHMEDABAD-380004. Gujarat, INDIA.

85.		SPACER-SB NOVA6 0822 10 NOVA6 0823 12	86.		NILOS RING (ZAV) SPL. NOVA6 0635 17
87.		SPL. WASHER (ROLLER CAP) / SPACER (CHONCHOID) NOVA6 0635 03 NOVA6 9945 17	88.		SPECIAL WASHER - M6 NOVA6 4959 01
89.		ROLLER SPACER NOVA6 9945 13	90.		ADAPTER-62 NOVA6 0635 07
91.		CAP NOVA60822 11	92.		COVER-PUSHER ROLLER NOVA6 0823 05
93.		SPRING STRECHER-P NOVA6 9946 11	94.		TENSION BOLT DULY ZN PLATED NOVA6 0765 01
95.		PIVOT PIN (12 X 57) NOVA6 0635 11	96.		AXLE (98 MM) NOVA6 0765 10
97.		DOWEL PIN (5 X 30) NOVA6 4958 09	98.		DOWEL PIN (6 X 30) NOVA6 0765 16
99.		SOLID DOWEL PIN (6 X 10) NOVA6 0822 06a NOVA6 0823 07a	100.		ECCENTRIC AXLE-PFT NOVA6 4959 02

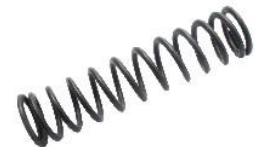












-: Registered Office Address :-

7, C. M. Shah Complex, Near Hanumanpura, Opp. Jupiter Textile Mills, Dudheshwar Road,
AHMEDABAD-380004. Gujarat, INDIA.

101.		UPPER BEARING BLOCK (98 MM) NOVA6 0765 05	102.		LOWER PULLEY BLOCK-N (98 MM) NOVA6 0765 18
103.		PUSHER FRAME-P10 NOVA6 0823 07	104.		STOPPER FRAME-P10 NOVA6 0822 06
105.		WARP GUIDE-P NOVA6 4958 01	106.		SHUTTLE GUIDE-P NOVA6 4958 10
107.		ADAPTER NOVA6 6415 07b NOVA6 6416 09b	108.		ADAPTER NOVA6 7766 13b
109.		WEFT GUIDE NOVA6 4960 01	110.		HEILD WIRE-A (LE) NOVA6 0765 22
111.		COMPENSATOR (WITH EYE) NOVA6 1125 07 NOVA6 1125 07a+b	112.		MAILLONS 160C NOVA6 1125 07c
113.		DROP WIRE (DOUBLE TWIST) NOVA6 7388 03	114.		GRIP RING DIA 8 NOVA6 2382 04
115.		EXPANDING RING-P NOVA6 9947 12b	116.		WEFT TENSION SPRING NOVA6 9946 08

















-: Registered Office Address :-

7, C. M. Shah Complex, Near Hanumanpura, Opp. Jupiter Textile Mills, Dudheshwar Road,
AHMEDABAD-380004. Gujarat, INDIA.

117.		SPRING NOVA6 9947 07	118.		COMPENSATOR SPRING NOVA6 1125 08
119.		SPRING HOLDER NOVA6 1125 09	120.		SPRING-L NOVA6 0910 09 NOVA6 5997 07
121.		SPRING-M NOVA6 0910 10 NOVA6 5997 08	122.		SPRING FOR HEAVY DENIER NOVA60910 11 NOVA65997 09
123.		SPRING NOVA6 1813 12	124.		TIMING PULLEY 18T NOVA6 6020 27
125.		TIMING PULLEY 20T NOVA6 6020 26	126.		TIMING PULLEY 23T NOVA6 6020 11
127.		COUNTER PULLEY 32T NOVA6 6020 01	128.		COUNTER PULLEY 44T NOVA6 6020 34
129.		SPROCKET 41T (DRIVE) 30 MM ID NOVA6 7063 09	130.		SPROCKET 37T (DRIVE) 30 MM - ID NOVA6 7774 13

-: Registered Office Address :-

7, C. M. Shah Complex, Near Hanumanpura, Opp. Jupiter Textile Mills, Dudheshwar Road,
AHMEDABAD-380004. Gujarat, INDIA.

- | | | | | | |
|------|---|--|------|--|--|
| 131. |  | SPROCKET 35T
(DRIVE) 30 MM - ID
NOVA6 7774 12 | 132. |  | SPROCKET 23T
(DRIVE) 30 MM - ID
NOVA6 7063 08 |
| 133. |  | SPROCKET 12T
(DRIVE) 20 MM - ID
NOVA6 7774 24 | 134. |  | SPROCKET 20T
(DRIVE) 20 MM - ID
NOVA6 7774 16 |
| 135. |  | SPROCKET 15T
(DRIVE) 20 MM - ID
NOVA6 7774 25 | 136. |  | SPROCKET 13T
(IDLER)
NOVA6 7774 06 |
| 137. |  | FIXED RETAINER
NOVA6 1813 04 | 138. |  | MOVEABLE RETAINER
NOVA6 1813 11 |
| 139. |  | FLANGE
NOVA6 1813 15 | 140. |  | SPRING RATAINER
NOVA6 1813 13 |
| 141. |  | FLATTENER ARM
NOVA6 1813 05 | 142. |  | SPREADER ARM
NOVA6 1813 09 |
| 143. |  | EXTENSION ROD - EX
NOVA6 1813 01 | 144. |  | CREEL BRACKET WITH
EYLET - WTC6
NOVA6 7388 05 |
| 145. |  | CREEL BRACKET
WITH EYLET - C6
NOVA6 7388 04 | 146. |  | SPONGE ROLLER-A
Ref : NOVA6 6418 22 |





-: Registered Office Address :-

7, C. M. Shah Complex, Near Hanumanpura, Opp. Jupiter Textile Mills, Dudheshwar Road,
AHMEDABAD-380004. Gujarat, INDIA.

147.		ADJUSTING RING NOVA6 6418 24	148.		GUIDE ROLLER (ALUM.) NOVA6 6415 07a
149.		COMPLETE FINNED ROLLER - 1050 MM	150.		FINNED ROLLER 1050 MM NOVA6 7766 13a
151.		CHAIN LOCK NOVA6 7774 22	152.		SIMPLEX ROLLER CHAIN (3.048 MTR) 1/2" X 5/16" NOVA6 7774 21
153.		BOBBIN DISC-S (DIA-160MM) NOVA6 2382 01	154.		CREEL ADAPTER-S NOVA6 2382 02
155.		BOBBIN DISC WITH BUSH NOVA6 2382 01,02	156.		CREEL ADAPTER-S WITH BUSH NOVA6 2382 03, 02
157.		CREEL DISC ASSY. (DIA-160MM)	158.		TIMING BELT (420H) (40MM - WIDE) NOVA6 6020 21
159.		TIMING BELT (850H) (45 MM - WIDE) NOVA6 6020 20	160.		SINTERED BRONZE BUSH (6 X 12 X 12) NOVA6 0635 10b
161.		SPECIAL NUT NOVA6 5997 22	162.		STEEL RING - P NOVA6 9947 12c

-: Registered Office Address :-

7, C. M. Shah Complex, Near Hanumanpura, Opp. Jupiter Textile Mills, Dudheshwar Road,
AHMEDABAD-380004. Gujarat, INDIA.

163.		EYELET CERAMIC NOVA6 7388 04b NOVA6 7388 05b NOVA6 0431 13	164.		WOOLEN FELT CAP (25 X 11 X 6) NOVA6 0765 17
165.		FOAM ROLLER (21 X 63 X 150) NOVA6 6418 23	166.		WHITE NAMDA NOVA6 9946 01 NOVA6 9946 14
167.		EMERY CLOTH (100 MM) SQUARE NOVA6 7779 12	168.		EMERY CLOTH (50 MM) SQUARE NOVA6 7779 12
169.		COLOUR SENSOR OBT-200-18GM60-E5 (P&F) PNP NOVA6 1235 06	170.		MAGNETIC SENSOR MB80-12GM50- E0(P&F) (NPN) NOVA6 1242 04
171.		MAGNETIC SENSOR MB80-12GM50- E0(P&F) (PNP) NOVA6 1242 04	172.		PROXIMITY SENSOR NBB2-8GM30-E2- V1 WITH CONNECTOR (P&F) PNP NOVA6 7057 05
173.		PROXIMITY SENSOR NBB2-8GM30-E2- 9M (P&F) PNP NOVA6 6021 09	172.		PROXIMITY SENSOR RANGE 2MM, FLUSH TYPE M12 NOVA6 6021 08
175.		EMERGENCY STOP BUTTON NOVA6 0431 20 NOVA6 7766 32	176.		PUSH BUTTON ACTUATOR BLACK NOVA6 0431 18 NOVA6 7766 30

-: Registered Office Address :-

7, C. M. Shah Complex, Near Hanumanpura, Opp. Jupiter Textile Mills, Dudheshwar Road,
AHMEDABAD-380004. Gujarat, INDIA.

177.		WOOLEN FELT SHEET	178.		PUSH BUTTON ACTUATOR GREEN NOVA6 0431 19 NOVA6 7766 31
179.		INDICATING LAMP RED (24V - LED) NOVA6 0431 17	180.		EXTERNAL CIRCLIP
181.		INTERNAL CIRCLIPS	182.		BALL BEARING
183.		PLAIN WASHER	184.		STAR WASHER
185.		SPRING WASHER	186.		LN BUTTON HEAD SCREW
187.		LN SOCKET HEAD CAP SCREW	188.		LN CSK HEAD SCREW
189.		LN GRUB SCREW	190.		INSERTION BOW METAL
191.		HEX NUT	192.		ROUND HOLDER/FLATTNER ARM
193.		STOPPER FRAME ASSY.	194.		NYLOCK NUT

-: Registered Office Address :-

7, C. M. Shah Complex, Near Hanumanpura, Opp. Jupiter Textile Mills, Dudheshwar Road,
AHMEDABAD-380004. Gujarat, INDIA.

